

Floating Joint: For Pneumatic Cylinders (∅180, ∅200)



∅180, ∅200 for pneumatic cylinders added.

- **Mounting**
Basic, flange and foot styles are available.
- **Equipped with dust cover as standard.**



Series Variations

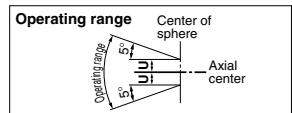
Series	Cylinder	Supply pressure	Applicable bore size (mm)															
			6	10	15	20	25	32	40	50	63	80	100	125	140	160	180	200
JA	Pneumatic cylinder	0.7 MPa or less	○	○	○													
		1.0 MPa or less				○	○	○	○	○	○	○	○	○	○	○	○	○
	Hydraulic cylinder	3.5 MPa or less				○	○	○	○	○	○	○	○	○	○	○	○	○

Model/Specifications

Applicable bore size (mm)	Model	Applicable cylinder nominal thread size	Maximum operating tensile and compressive force (N)			Allowable eccentricity (U)	Rotating angle	Ambient temperature
			Basic style	Flange style	Foot style			
180	JA□180-40-150-X530	M40 x 1.5						
200	JA□200-45-150-X530	M45 x 1.5	71000	55000	55000	3	5°	-5 to 60°C

Specifications

Operating pressure	Pneumatic cylinder: 1 MPa or less
Mounting	Basic style, Flange style, Foot style



How to Order

JA F 180 - 40-150 - X530

● **Mounting style**

Nil	Basic style
F	Flange style
L	Foot style

● **Applicable bore size**

Symbol	Applicable bore size
180	180 mm
200	200 mm

● **Nominal thread size**

Nominal thread size	Applicable cylinder nominal thread size
40-150	M40 x 1.5
45-150	M45 x 1.5

● For pneumatic cylinders (∅180, ∅200)

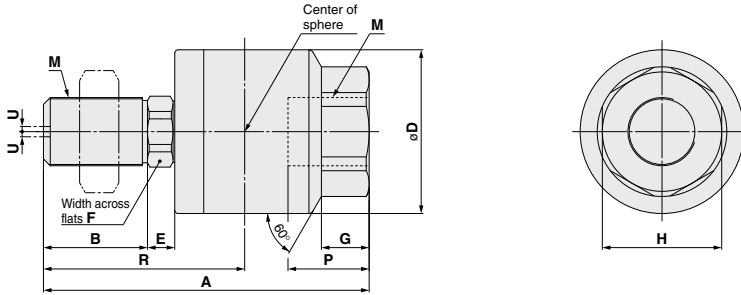
JA-X530

- Air Cylinders
- CJ2
- CM2
- CG1
- MB
- CA2
- CQ2
- CQS
- Lube-retainer
- JA
- MXH
- MXQ
- MGP
- CY
- CX
- CK□1
- CL□
- CL□U
- CKQ
- CKZ2N
- WRF

JA-X530

Basic Style: JA

JA ¹⁸⁰/₂₀₀ -□-X530



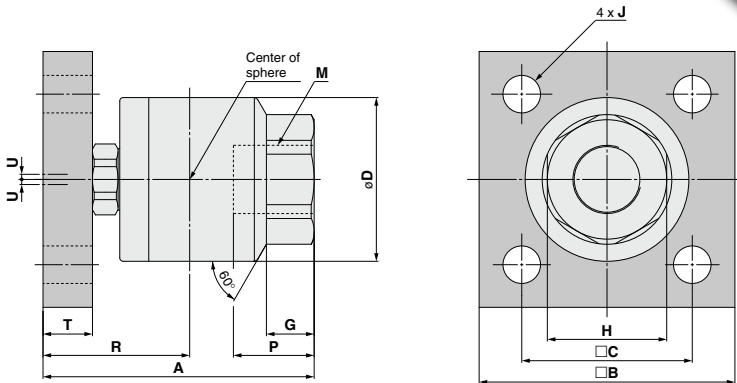
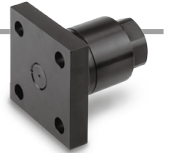
Dimensions

(mm)

Applicable bore size	Model	M		A	B	D	E	F	G	H	Center of sphere R	Maximum screw-in depth P	Allowable eccentricity U	Maximum operating tensile and compressive force (N)	Weight (kg)
		Nominal size	Pitch												
180	JA180-40-150-X530	40	1.5	191	61	96	16	36	28	70	118	49	3	71000	5.3
200	JA200-45-150-X530	45	1.5	191	61	96	16	36	28	70	118	49	3	71000	5.4

Flange Style: JAF

JAF ¹⁸⁰/₂₀₀ -□-X530



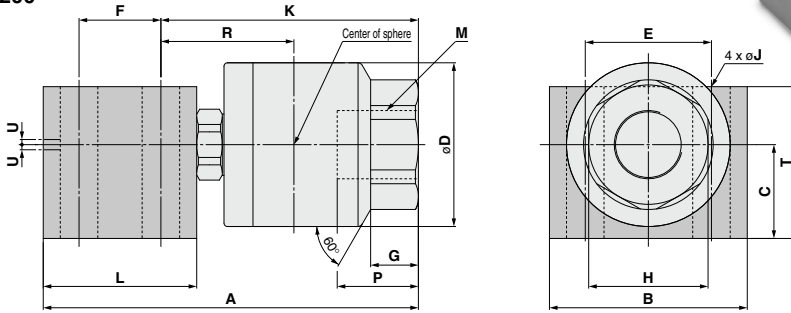
Dimensions

(mm)

Applicable bore size	Model	M		A	B	C	D	T	J	G	H	Center of sphere R	Maximum screw-in depth P	Allowable eccentricity U	Maximum operating tensile and compressive force (N)	Weight (kg)
		Nominal size	Pitch													
180	JAF180-40-150-X530	40	1.5	159	150	100	96	29	22	28	70	86	49	3	55000	9.1
200	JAF200-45-150-X530	45	1.5	159	150	100	96	29	22	28	70	86	49	3	55000	9.2

Foot Style: JAL

JAL 180-□-X530
200-□-X530

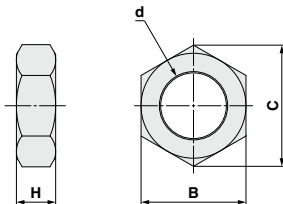


Dimensions

Applicable bore size	Model	M		A	B	C	D	E	F	K	L	T	J	G	H	Center of sphere R	Maximum screw-in depth P	Allowable eccentricity U	Maximum operating tensile and compressive force (N)	Weight (kg)
		Nominal size	Pitch																	
180	JAL180-40-150-X530	40	1.5	220	116	55	96	74	48	151	90	89	22	28	70	78	49	3	55000	10.3
200	JAL200-45-150-X530	45	1.5	220	116	55	96	74	48	151	90	89	22	28	70	78	49	3	55000	10.4

Rod End Nut Dimensions

The basic style has one rod end nut attached, it is possible to order additional pieces by the order numbers below.



Model	Order no.	d: Nominal thread size	H	B	C
JA180-40-150-X530	DA00425	M40 x 1.5	23	60	69.3
JA200-45-150-X530	DA00447	M45 x 1.5	27	70	80.8

Floating Joint Replacement Parts

Dust cover

When the dust cover is damaged and deteriorated, order with the part number below. Replaceable dust cover is only for the basic style. Flange style and foot style cannot be replaced.

Part no. for dust cover	Applicable model
P215295	JA180, 200-□-X530

Air Cylinders

CJ2

CM2

CG1

MB

CA2

CQ2

CQS

Lube-retainer

JA

MXH

MXQ

MGP

C□Y

C□X

CK□1

C(L)□

C(L)KU

CKQ

CKZ2N

WRF

INDEX